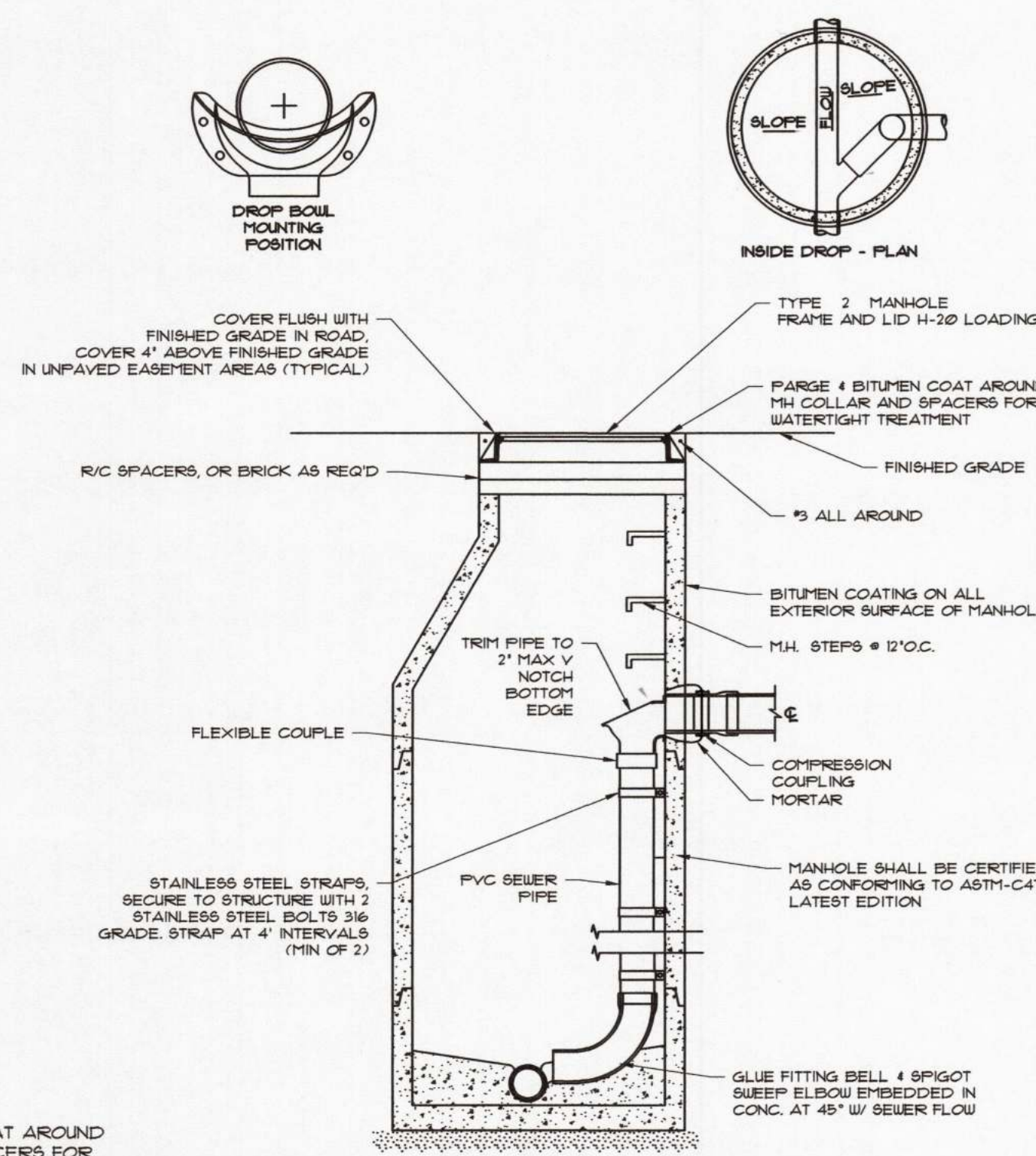
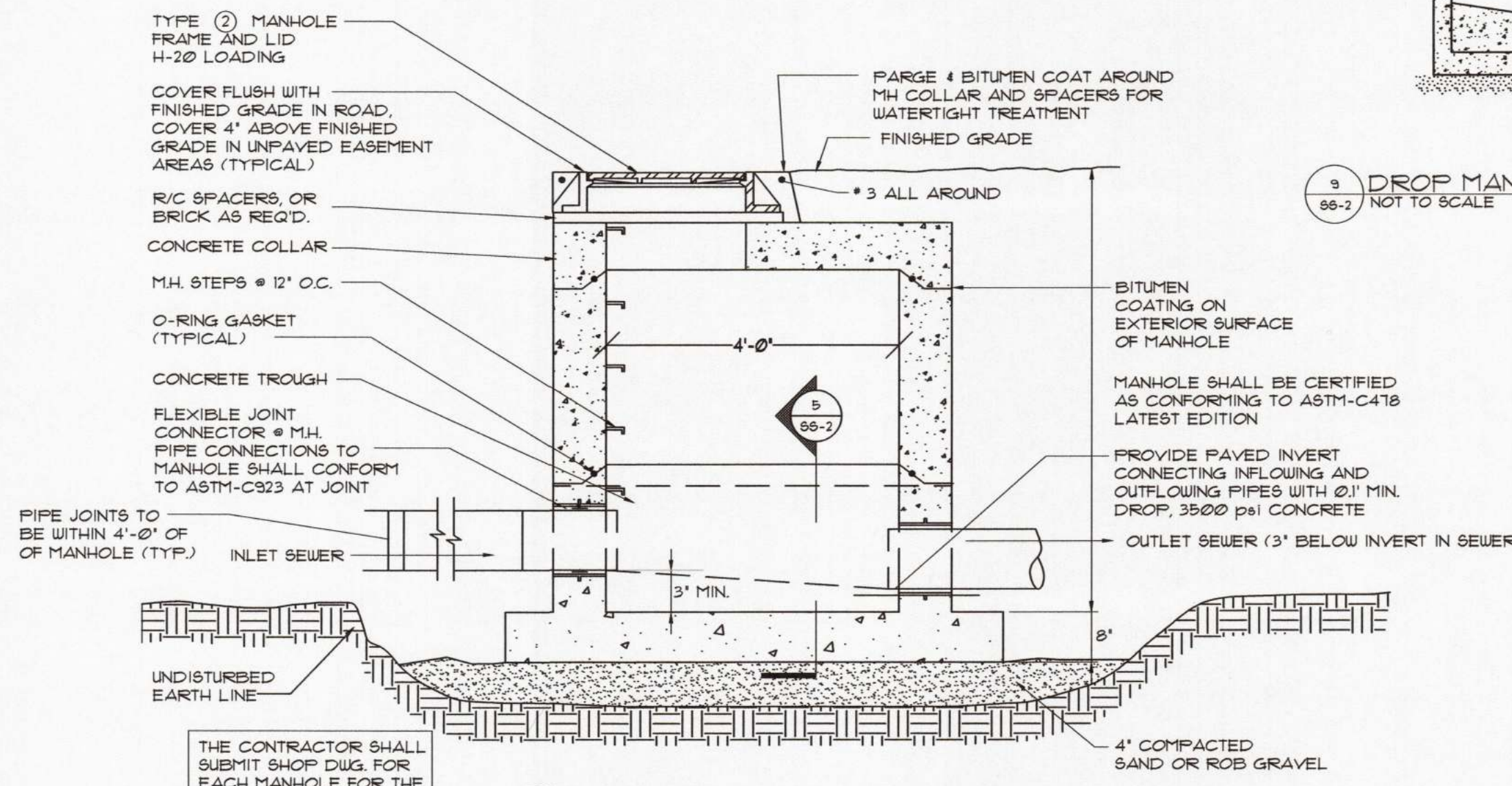


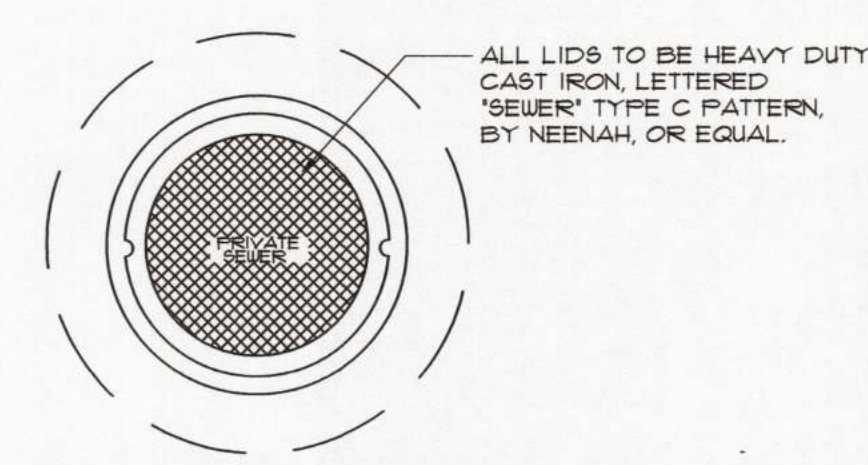
1 IN-LINE GRAVITY WYE CONNECTION  
88-2 NOT TO SCALE



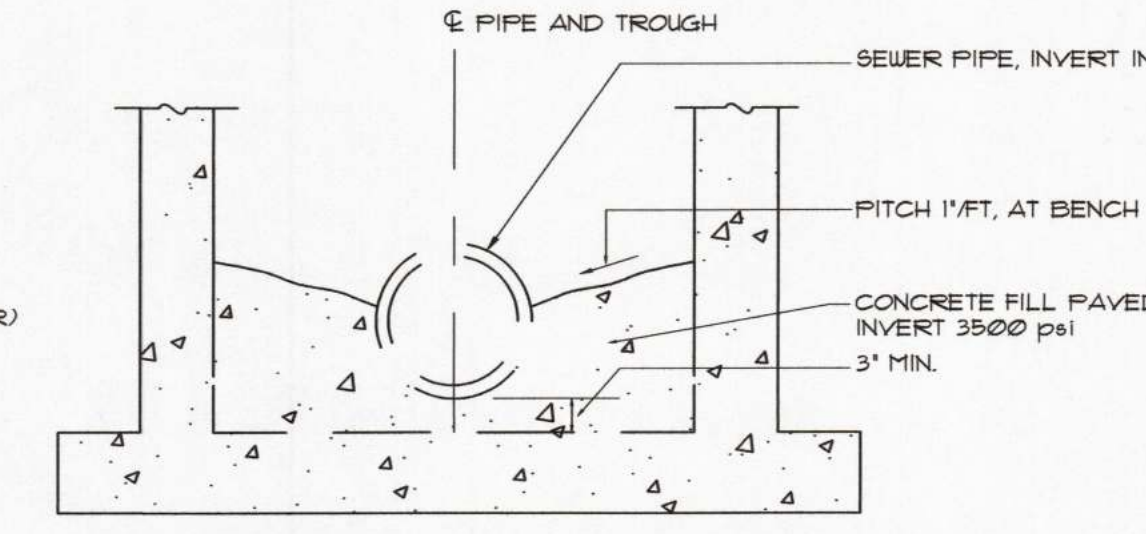
2 DROP MANHOLE DETAIL  
88-2 NOT TO SCALE



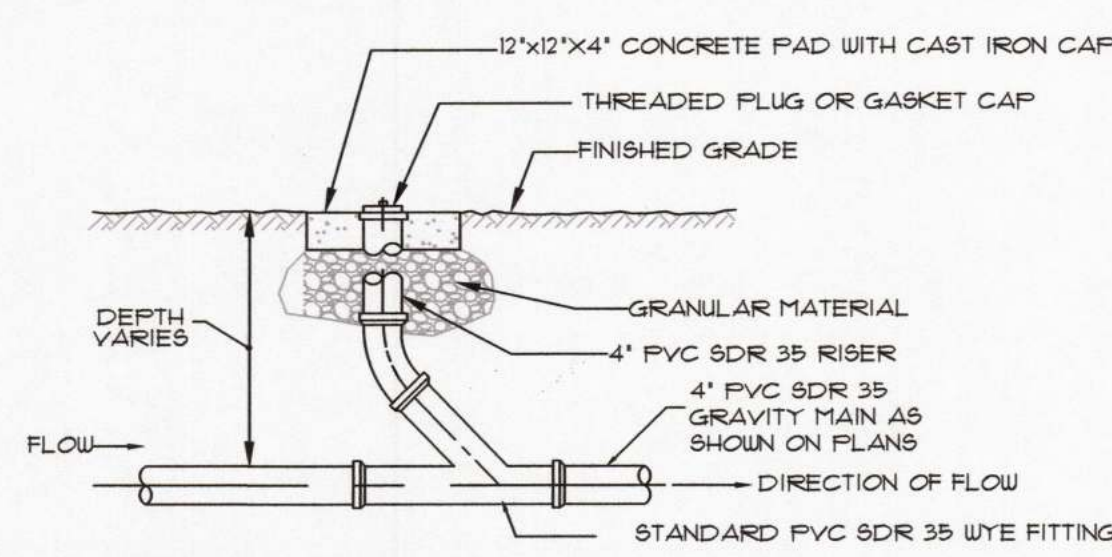
3 PRECAST SEWER MANHOLE  
88-2 N.T.S.



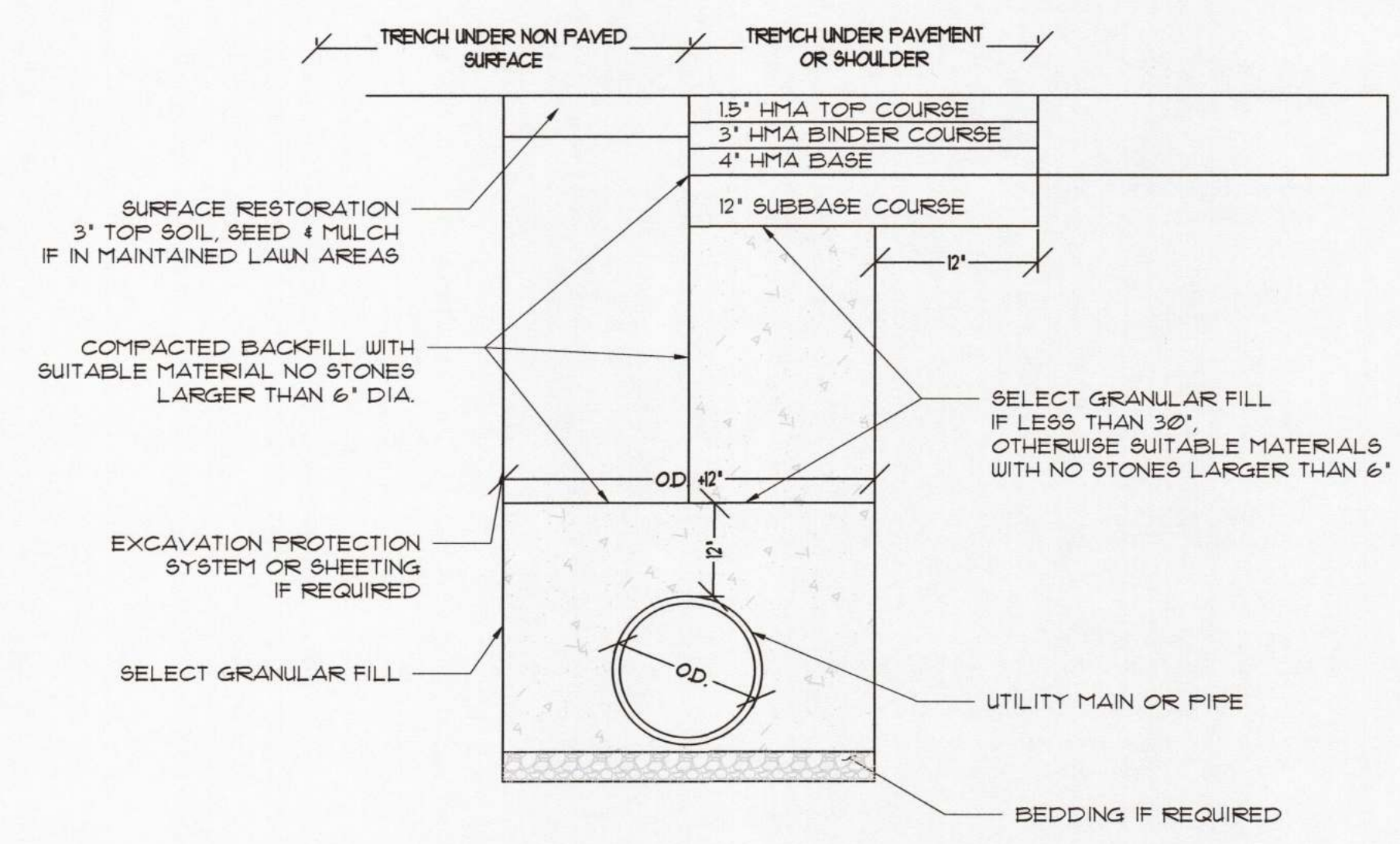
4 MANHOLE LID & FRAME DETAILS  
88-2 NOT TO SCALE



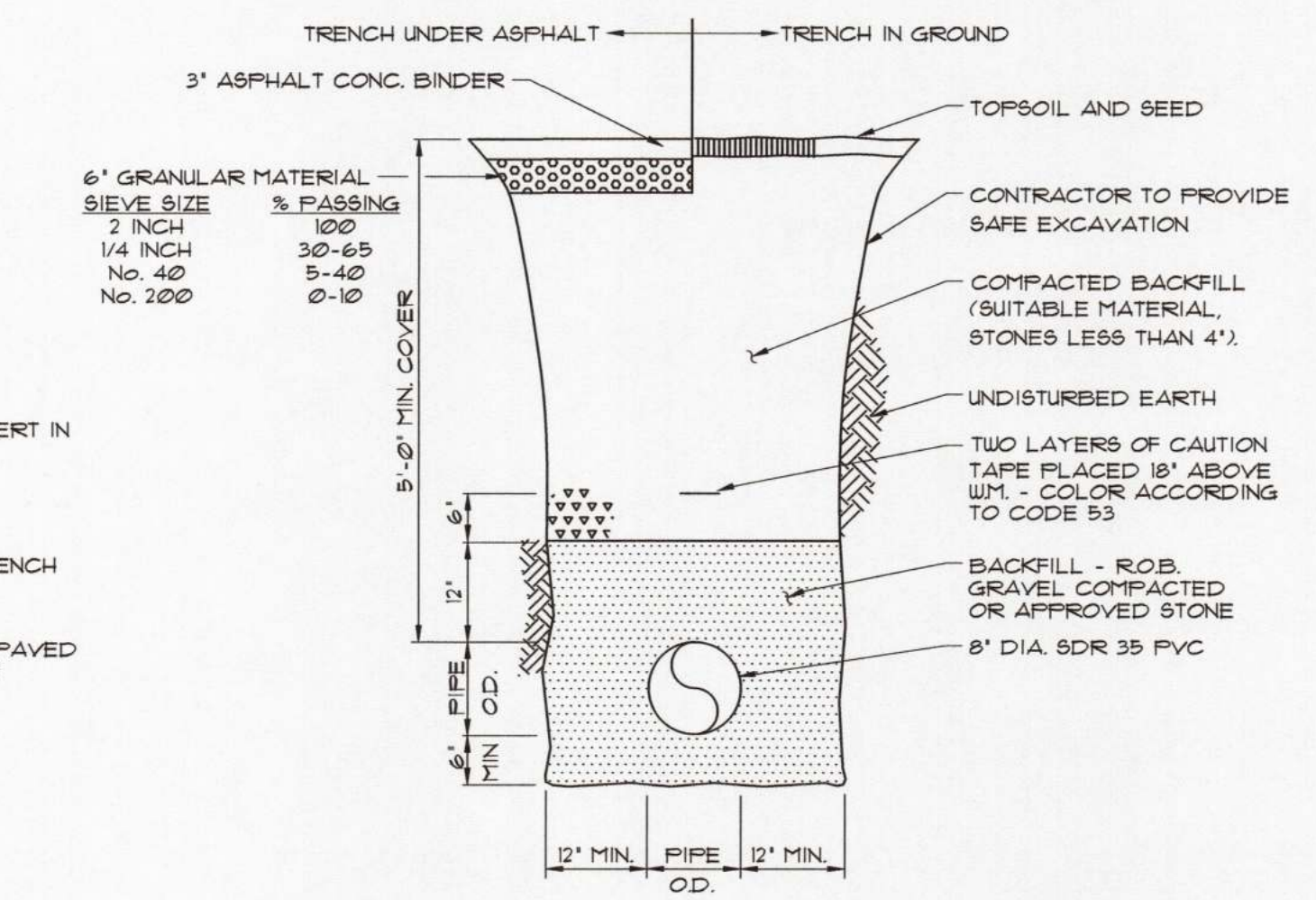
5 SECTION THRU TYPICAL MANHOLE  
88-2 N.T.S.



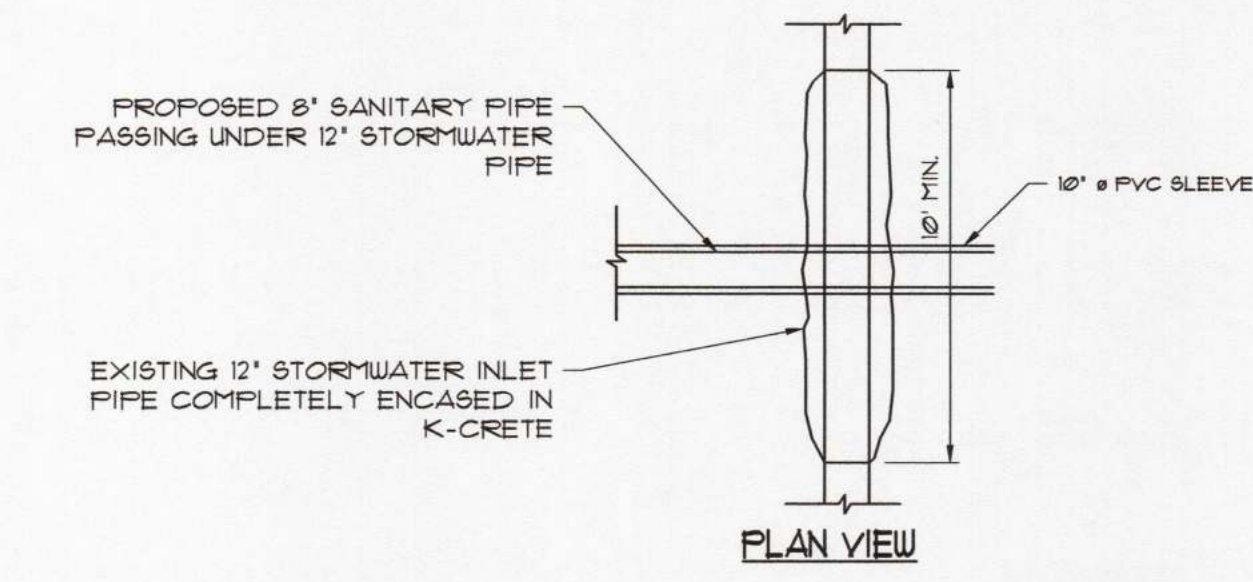
6 IN-LINE GRAVITY MAIN CLEANOUT  
88-2 NOT TO SCALE



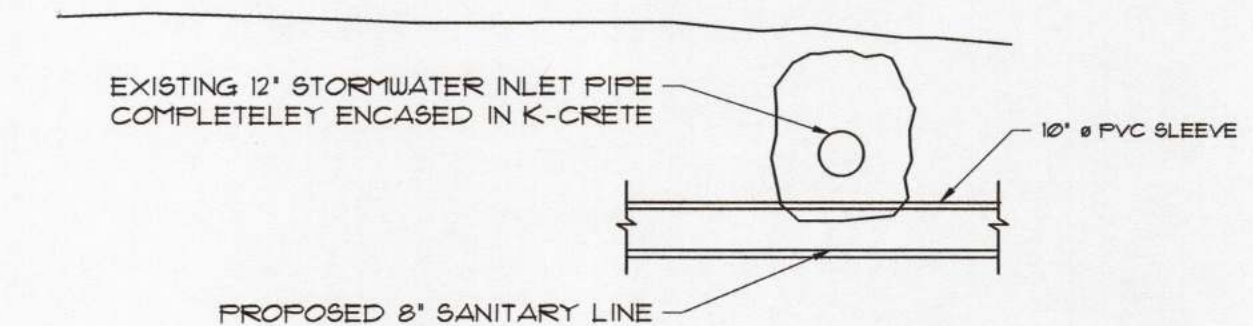
7 DRAINAGE & UTILITY TRENCH DETAIL  
88-2 N.T.S.



8 TYPICAL SEWER LINE TRENCH DETAIL  
88-2 N.T.S.



9 8\"/>



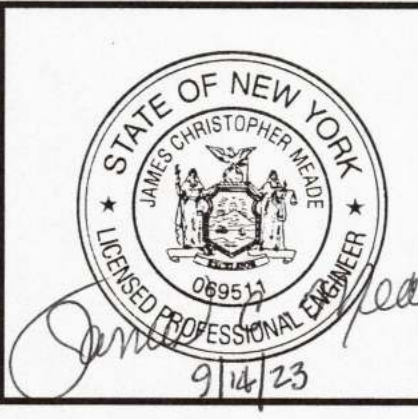
10 8\"/>

NOT FOR CONSTRUCTION

STATE LAW PROHIBITS ANY PERSON FROM ALTERING ANYTHING ON THIS DRAWING AND/OR THE ACCOMPANYING SPECIFICATION, UNLESS IT IS UNDER THE DIRECTION OF A LICENSED PROFESSIONAL, WHERE SUCH ALTERATIONS ARE MADE THE LICENSED PROFESSIONAL MUST SIGN, SEAL, DATE, AND DESCRIBE THE FULL EXTENT OF THE ALTERATION ON THE DRAWING AND/OR IN THE SPECIFICATION.

NO.	DATE	BY	DESCRIPTION

**CHARLES P. MAY & ASSOCIATES, P.C.**  
DESIGN PROFESSIONALS  
367 Windsor Highway, Suite 203  
New Windsor, New York 12553  
845-567-5330  
Email: charlespmay@cpma.com Website: www.charlespmayassociates.com



39 MIDDLEBUSH ROAD  
WAPPINGER FALLS  
DUTCHESS COUNTY, NEW YORK 12590  
TAX MAP ID. NO. 135689-6157-01-458871

DATE	DRAWN	CHECKED
9-12-23	JDC	CPM

SCALE: 1" = 20'-0"  
SHEET TITLE  
SANITARY SEWER DETAILS

PROJECT NUMBER  
2023-03  
DRAWING NUMBER  
SS-2  
SHEET 10 OF 10